

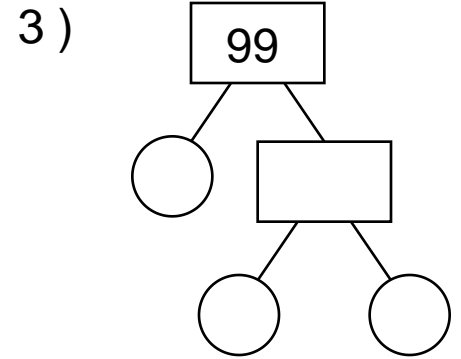
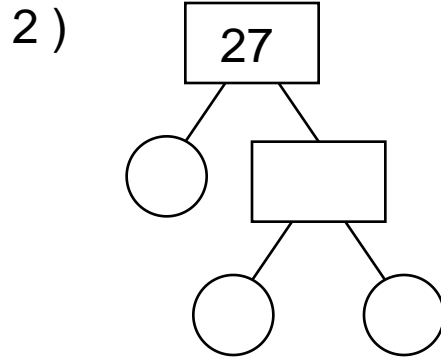
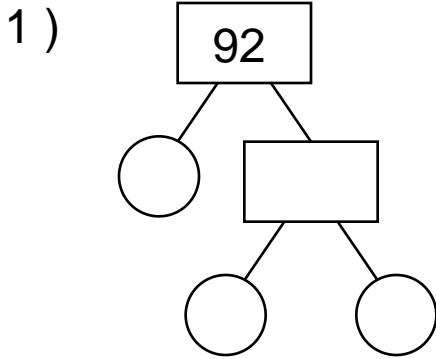
Name : _____

Score : _____

Teacher : _____

Date : _____

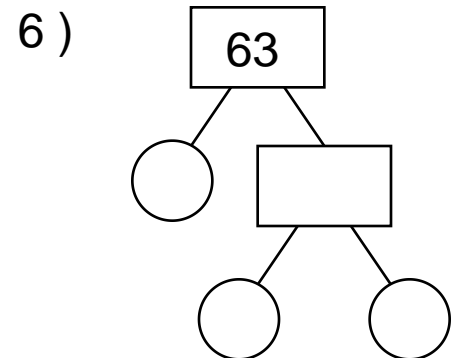
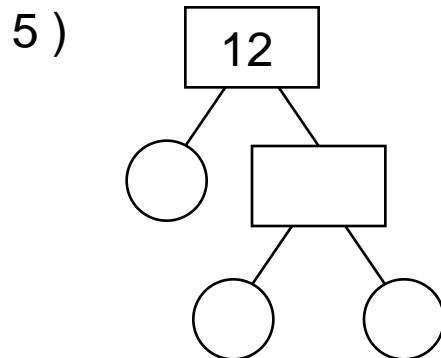
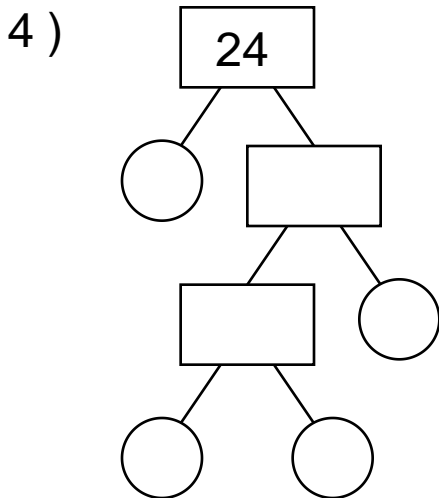
Find the Prime Factors of the Numbers



Prime Factors
 $_ \times _ \times _ = 92$

Prime Factors
 $_ \times _ \times _ = 27$

Prime Factors
 $_ \times _ \times _ = 99$



Prime Factors
 $_ \times _ \times _ \times _ = 24$

Prime Factors
 $_ \times _ \times _ = 12$

Prime Factors
 $_ \times _ \times _ = 63$

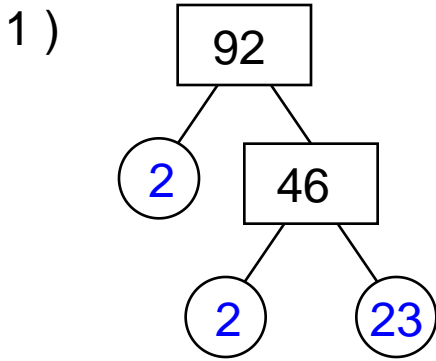
Name : _____

Score : _____

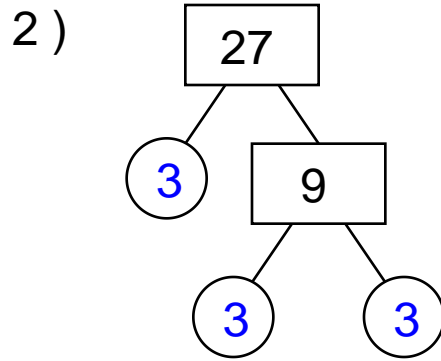
Teacher : _____

Date : _____

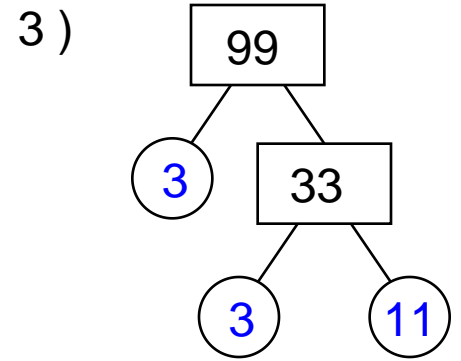
Find the Prime Factors of the Numbers



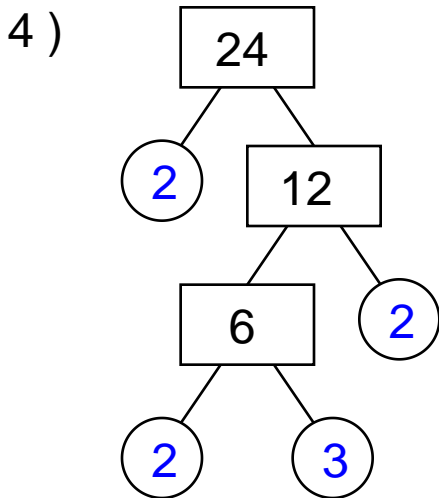
Factors
 $2 \times 2 \times 23 = 92$



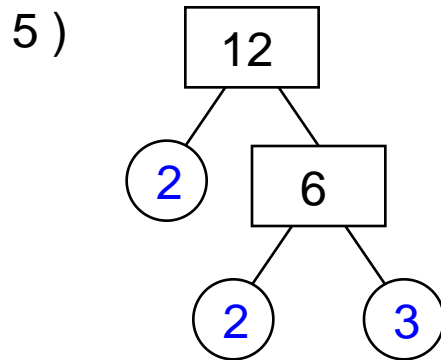
Factors
 $3 \times 3 \times 3 = 27$



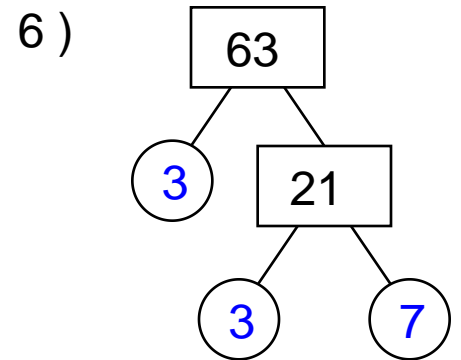
Factors
 $3 \times 3 \times 11 = 99$



Factors
 $2 \times 2 \times 2 \times 3 = 24$



Factors
 $2 \times 2 \times 3 = 12$



Factors
 $3 \times 3 \times 7 = 63$